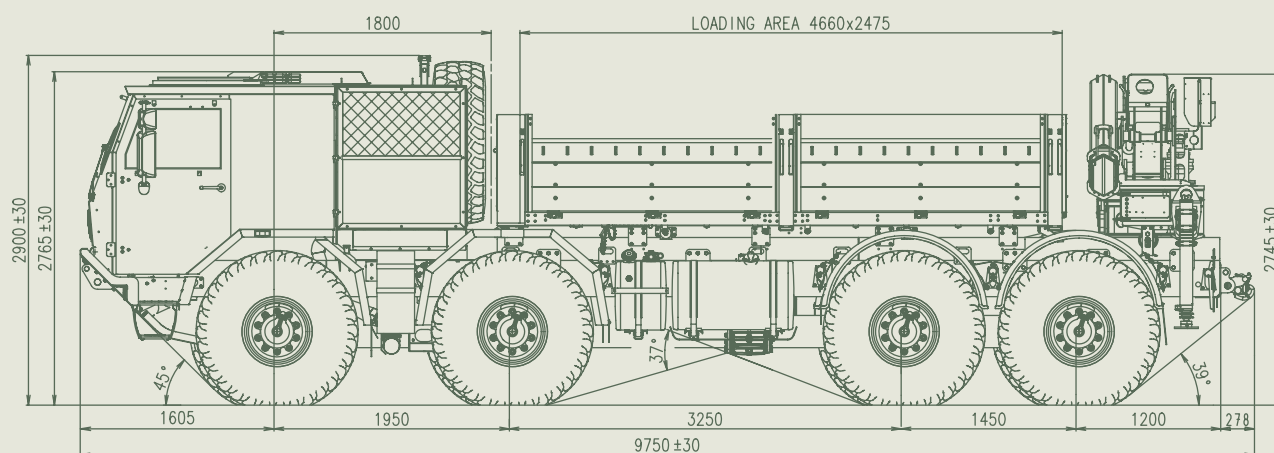


# T 815-7N0R99 38 331 8x8.1R



## 8x8 HMHD CARGO/TROOP CARRIER WITH CRANE



# T 815-7N0R99 38 331 8x8.1R

The TATRA 8x8 High Mobility Heavy Duty Tactical Truck is a member of the most recent development of the new military family of TATRA trucks - heavy-duty vehicles. Due to its specific design features and 8x8 drive configuration, this truck is particularly suitable for operation in the most difficult off-road or cross-country conditions. It can serve as a tactical truck, or carry various kinds of special superstructures and load handling systems. Exceptional resistance of the chassis against twist and bending, as well as low transfer of vibrations on the load make it ideal means for transporting standard containers and shelters, sophisticated electronics, or other sensitive loads.

The 8x8 all-wheel drive chassis employs new development of the independent suspension and backbone tube frame, which are unique characteristics of the TATRA-concept chassis proven for more than 80 years. It allows each wheel to move independently, with improved steering, and maximum tire-to-ground contact, while featuring extreme resistance of the chassis against torsion and bending. This is provided by a solid 3D frame formed by connecting the backbone tube with a conventional ladder frame via several cross-members. In addition, the backbone tube frame also protects all driveline components, which are placed inside the backbone tube, against impacts, dust, and humidity. Low service and maintenance costs, and actually service-free design without conventional cardan-shaft torque distribution are other benefits of this concept.

Air springs all-round, along with the independent wheel suspension, care for low vertical vibration, and thus provide high ride comfort, enabling also fast drive in rough terrain.

• C-130 transportable • Adjustable vehicle height and clearance • All-wheel drive • Differential locks • CTIS operated on the fly • Optional add-on armoring kits to be implemented by the end-user when needed

## ENGINE - NAVISTAR Maxx Force 13

Water cooled, four stroke turbo-charged and charge-air-cooled direct injection Diesel.

Model	Navistar Maxx Force 13
Number of cylinders	6L
Bore/stroke	126/166 mm
Displacement	12.4 ltrs
Power output	331 kW/1,700 RPM
Max. torque	1,976 Nm/1,000 RPM

## TRANSMISSION - Allison 4500SP

Automatic, no. of gears forward/reverse 6/1

## TRANSFER BOX

Type TATRA 2.30 TRK 0.9/2.4. Speed reducing. Pneumatic control.

## FRONT AXLES

TATRA steered and driven swing half-axles with independent wheel suspension, axle differential locks and inter-axle differential lock. Wheel hub reductions.

Air springs and telescopic shock absorbers, swing bar.

## REAR AXLES

TATRA driven swing half-axles with independent wheel suspension, axle differential locks and inter-axle differential lock. Wheel hub reductions.

Air springs and telescopic shock absorbers, swing bars.

## STEERING

Left/right hand drive, integral power steering.

## BRAKES

Wedge type self-adjustable drum brake units, ABS.

Four separate brake systems: service, emergency, parking, and engine brake.

## WHEELS

Single tactical tyres on all axles with CTIS.

Rims	20 -10.00V
Tyres	16.00 R20
Beadlocks, run-flats as option	

## CAB

COE type, medium size, forward tilting, all-steel, two doors, driver's adjustable seat with safety belt, firm 2 seats with safety belt, flat 2-piece windscreen, right-left design, roofmanhole. Rifleracks, sun visors, HVAC unit. C-130 transportable. Add-on armoring.

## ELECTRIC EQUIPMENT

Nominal voltage	24 V
Batteries	4x 12V, 220 Ah
Alternator	260 A/28 V

## DIMENSIONS

Width	2,500 mm
Track - front/rear	2,072 mm
Clearance	410 mm
Clearance can be temporarily raised/lowered by suspension on the fly.	

## WEIGHTS

Curb weight (w/ armoured cab)	16,900 kg
Payload max.	21,100 kg
GVW max.	38,000 kg

## PERFORMANCE

Top speed	115 km/h
Gradeability at GVW	55 %
Side slope	45 %
Turning circle diameter (curb to curb)	26 ± 1 m
Fording capability	1,500 mm
Crossing ability - trench width	2,100 mm
Fuel tank	570 ltrs
Cruising range (on road)	1,100 km
Climbing ability - vertical step	600 mm
Operating ambient temperature	-32°C ÷ 49°C

## EQUIPMENT

Cargo body - w/tarpaulin, rear foldable access, optionally sitting for 16 troops.

Crane - capacity 240kNm, outreach 6.9 m, outreach lifting capacity 5,800 kg/4.3 m to 3,550 kg/6.9 m, remote control.

CTIS - automatic.

Trailer hook - automatic, incl. electric and braking system coupling.